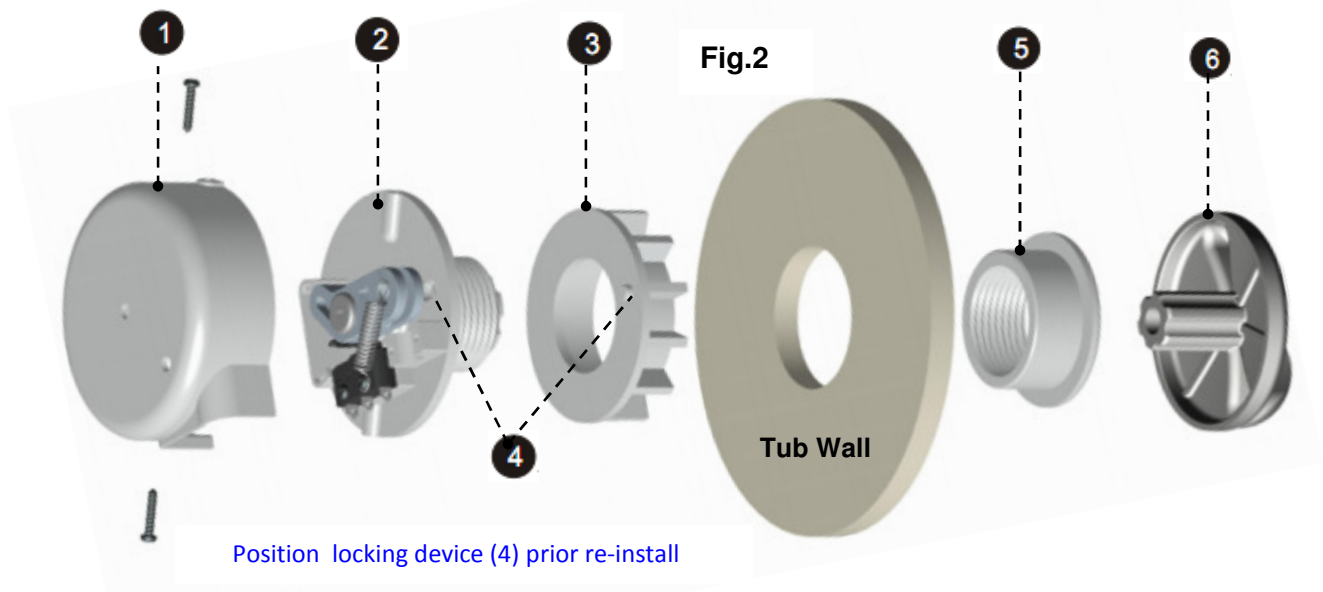


AUTO-FILL/ JET KNOB NO ACTION: Open to replace contact switch or spring



Open Auto-fill/Jet knob (Fig.2) Using Flat head Screw-driver to lift the Cap handle out (6) – Using Long nose pliers to plug in the indented marks located on plastic nut (5) and turn counter-clockwise - Push in and pull Drain knob out of tub base – Remove 2 screws at Cap cover (1) to open the Drain knob. Adjust or replace part as needed.