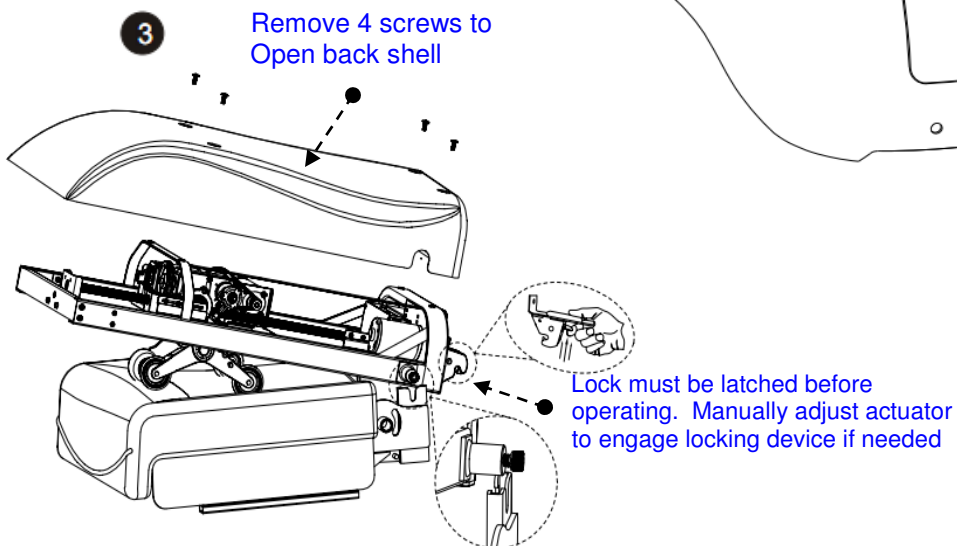
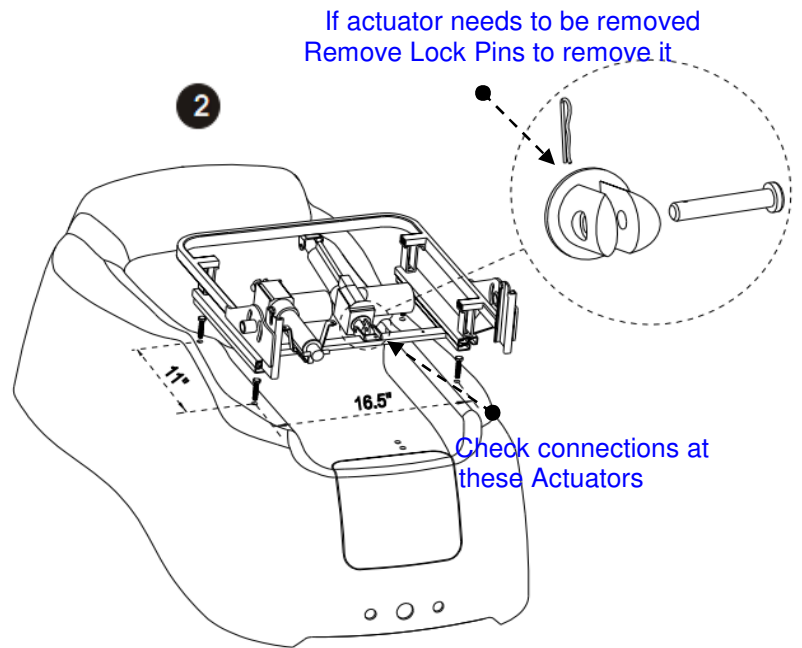
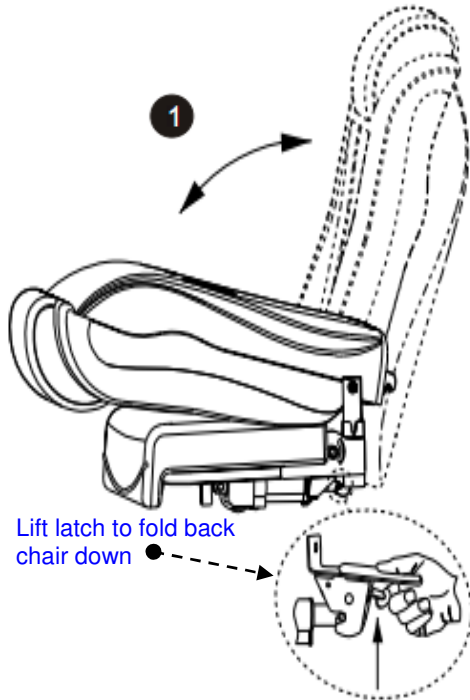
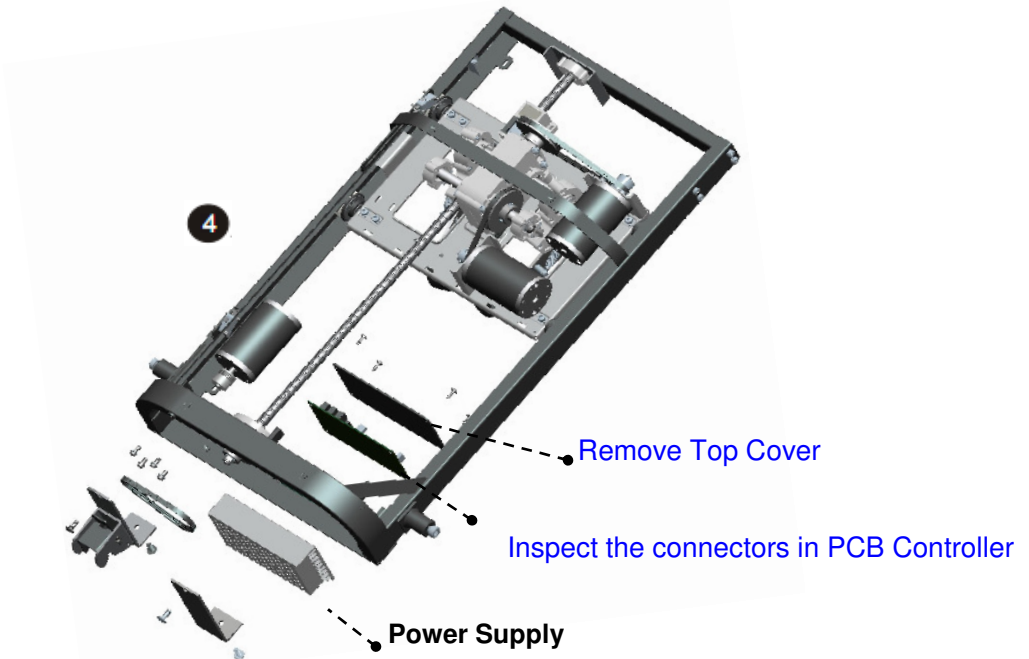


# SEAT & BACK-REST ARE NOT MOVING – HOW TO FIX

Tool needed: Philips screw driver



## REMOVE & REPLACE ACTUATORS (SEAT MOVING & BACK RECLINER)



### LOCATING THE ACTUATOR PROBLEM:

1. To test the Actuator function out from PCB (Green board) Remove connector **2** & **3**. Move connector **1** to **2** and on the remote control press seat button: If the Up/Down motor moves then The PCB is good. Repeat with connector **3**.
2. If the connectors 2&3 on PCB are good. Check the connection of actuators by wiggling at the cable connector and at the connection under the seat. Try to power it again. If no motion then call Customer care for replacement. See picture **2** for replacing the actuator

