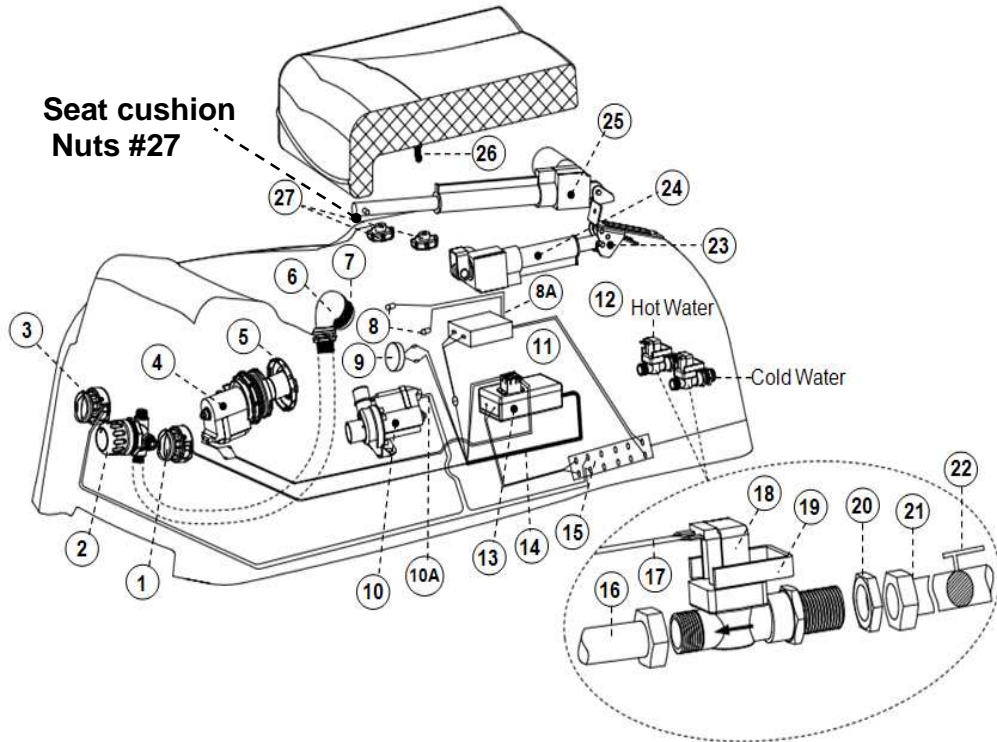


## SEAT CUSHION REMOVAL



**To Remove the seat cushion: Unscrew the 2 nuts located below the seat cushion at (#27)**