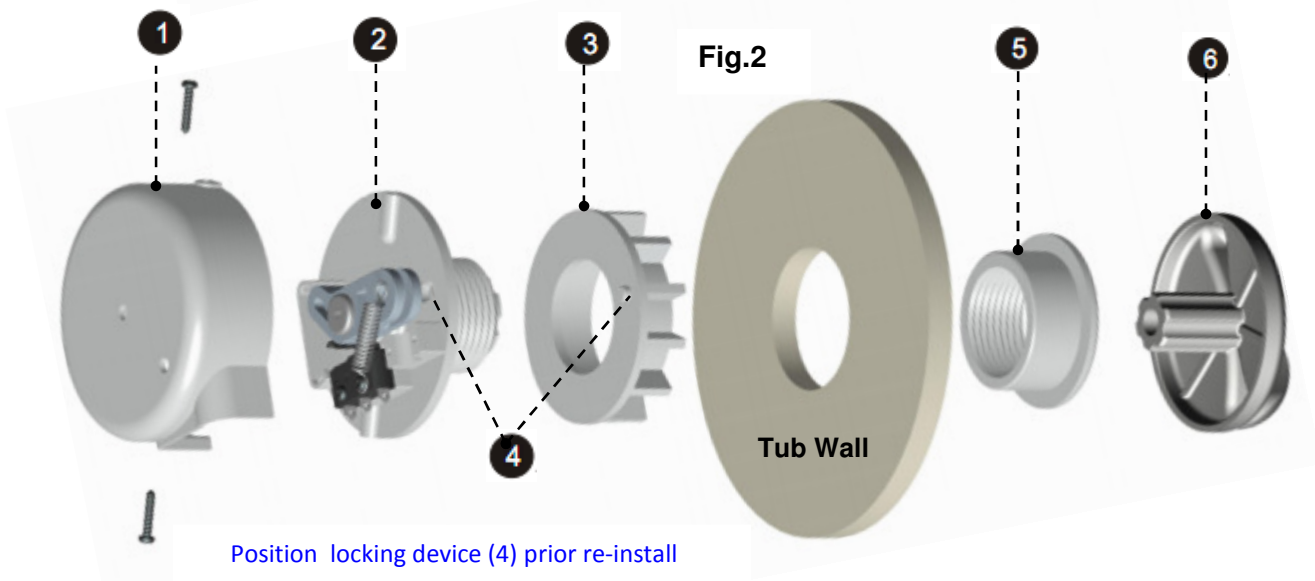
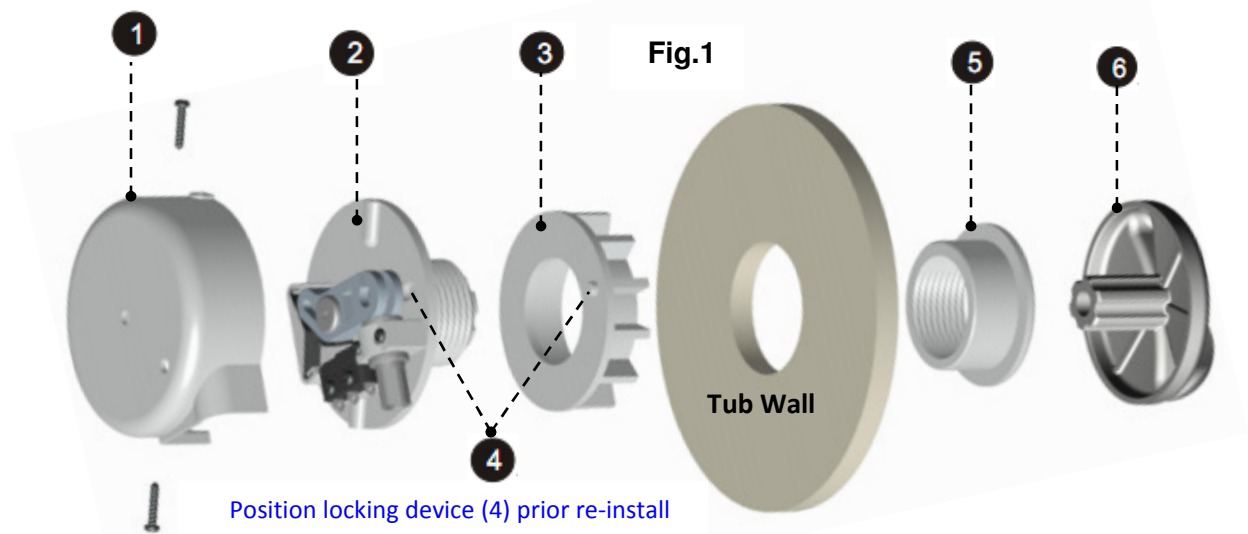


DRAIN KNOB LOOSED OR HARD TO TURN:

- Check Drain Knob: Refer to Fig.1 for opening Drain knob as needed
- Hard to turn: Refer to Drain Shoe Leak Section: Open Drain shoe & check black cable between Drain Knob and Drain shoe. Re-seat, re-crimp or replace this cable as needed.

Open the Drain knob: Using Flat head Screw-driver to lift the Cap handle out (6) – Using Long nose pliers to plug in the indented marks located on nut (5) and turn counter-clockwise to open – Push in and pull Drain knob out of tub base – Remove 2 screws at Cap cover (1) to open the Drain knob. Adjust or replace part as needed.



Open Auto-fill/Jet knob (Fig.2) Using Flat head Screw-driver to lift the Cap handle out (6) – Using Long nose pliers to plug in the indented marks located on plastic nut (5) and turn counter-clockwise - Push in and pull Drain knob out of tub base – Remove 2 screws at Cap cover (1) to open the Drain knob. Adjust or replace part as needed.