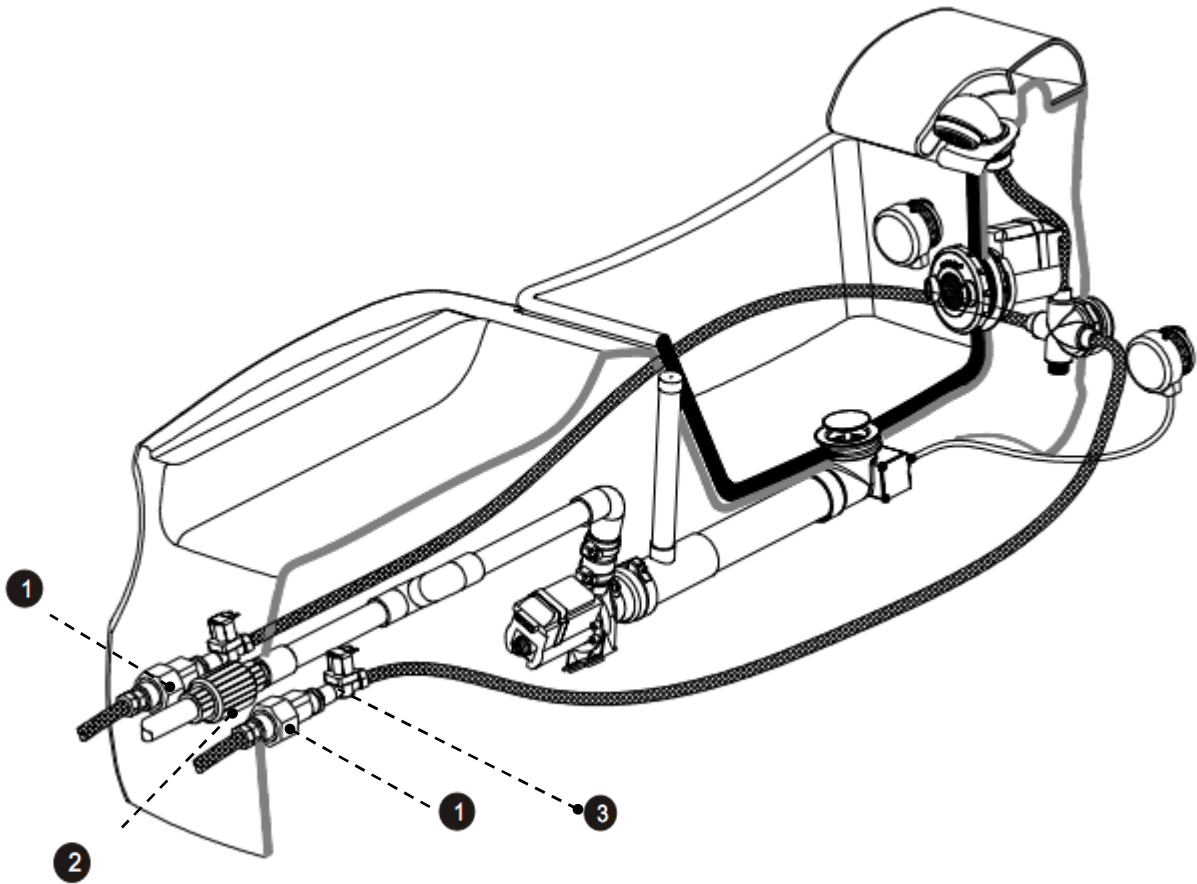


BACKFLOW PREVENTOR



- 1 **Back Flow Preventor:** Due to differences in construction lay out of your Salon and City's plumbing code, please contact your local Plumber to fulfill your needs as required. Backflow preventers are not supplied by the pedicure spa manufacturer. Below is a Backflow complied with ASSE1024
- 2 **Check Valve:** Used to block the wasted water go back to Spa
- 3 **Solenoids:** Use to turn on/off water to Spa

BACKFLOW PREVENTOR: Due to differences in construction lay out of your Salon and City's plumbing code, please contact your local Plumber to fulfill your needs as required. Backflow preventers are not supplied by the pedicure spa manufacturer. Below is a Backflow complied with ASSE1024



MODEL DUC4N DUAL CHECK VALVE 4N-300 SERIES

| | |
|---------------|------------------------|
| Job Name: | Contractor: |
| Job Location: | P.O. Number: |
| Engineer: | Representative: |
| Tag: | Wholesale Distributor: |

DESCRIPTION

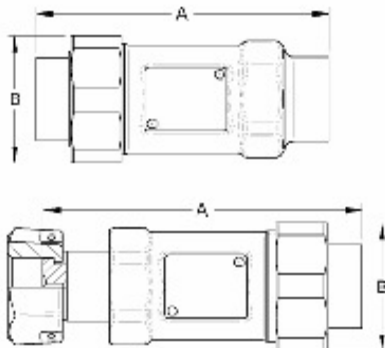
The Apollo® Model DUC4N (4N-300 Series) Dual Check Valve prevents backflow by either backpressure or back-siphonage from a cross-connection between potable water lines and substances that are objectionable, but not health hazards.

FEATURES

- Low pressure loss
- Corrosion resistant
- Replaceable check modules
- Available in standard and swivel connections
- Available in rough chrome finish (3/8" size only)
- MADE IN THE USA

MATERIAL SPECIFICATIONS

| Part Name | Material |
|-----------------|---|
| Body | Cast Bronze C84400 |
| Union tailpiece | Brass |
| Union nut | Brass |
| Check Modules | Glass-Filled Noryl® (3/8"-1/2") Acetal (3/4"-1") |
| Springs | Stainless Steel |
| Seat Discs | Buna-N |



DIMENSIONS (in.)

| Size | A | B | Wt. (lbs.) |
|-------------------|------|------|------------|
| 3/8" & 1/2" | 3.32 | 1.88 | .70 |
| 3/4" | 4.38 | 2.00 | 1.40 |
| 3/4" Meter Swivel | 4.75 | 2.00 | 1.60 |
| 1" | 4.38 | 2.00 | 1.40 |
| 1" Meter Swivel | 4.75 | 2.00 | 1.75 |



APPROVALS

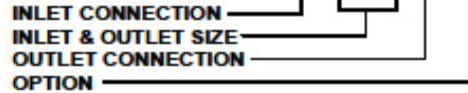
ASSE® 1024 and CSA® B64.6

PERFORMANCE RATING

Maximum Operating Pressure 175 psi
Temperature Range 33 °F – 180 °F

ORDERING INFORMATION

4 N - 3 X X - X X - X



INLET CONNECTION^{1,3}

- | | |
|---|--|
| <input type="checkbox"/> A – FNPT | <input type="checkbox"/> E – Male Meter Thd |
| <input type="checkbox"/> B – MNPT | <input type="checkbox"/> S – Female Mtr Swivel |
| <input type="checkbox"/> C – Female Mtr Thd | <input type="checkbox"/> 2 – Female BSPP |

SIZE²

- | | | |
|-----------------------------------|-----------------------------------|-------------------------------------|
| <input type="checkbox"/> 2 - 3/8" | <input type="checkbox"/> 4 - 3/4" | <input type="checkbox"/> 6 - 1 1/4" |
| <input type="checkbox"/> 3 - 1/2" | <input type="checkbox"/> 5 - 1" | |

OUTLET CONNECTION^{1,3}

- | | |
|---|---|
| <input type="checkbox"/> A – FNPT | <input type="checkbox"/> E – Male Meter Thd |
| <input type="checkbox"/> B – MNPT | <input type="checkbox"/> F – Female BSPP |
| <input type="checkbox"/> C – Female Mtr Thd | |

OPTION

- C – Rough chrome plated (3/8" size only)

Example: 4N-3S5-4A = 1" female meter swivel inlet (for connection to a 3/4" water meter) x 3/4" FNPT outlet.

Notes:

- ¹For meter threads, order one size larger than meter size.
²Size 6 - 1 1/4" is only available for the Female Mtr Swivel Connection.
³Not all inlet and outlet combinations are available. Please contact Conbraco Customer Service for availability.

Conbraco Industries, Inc. 701 Matthews Mint Hill Rd. Matthews NC 28105 USA; www.apollovalves.com; 704-841-6000

This specification is provided for reference only. Conbraco reserves the right to change any portion of this specification without notice and without incurring obligation to make such changes to Conbraco products previously or subsequently sold.