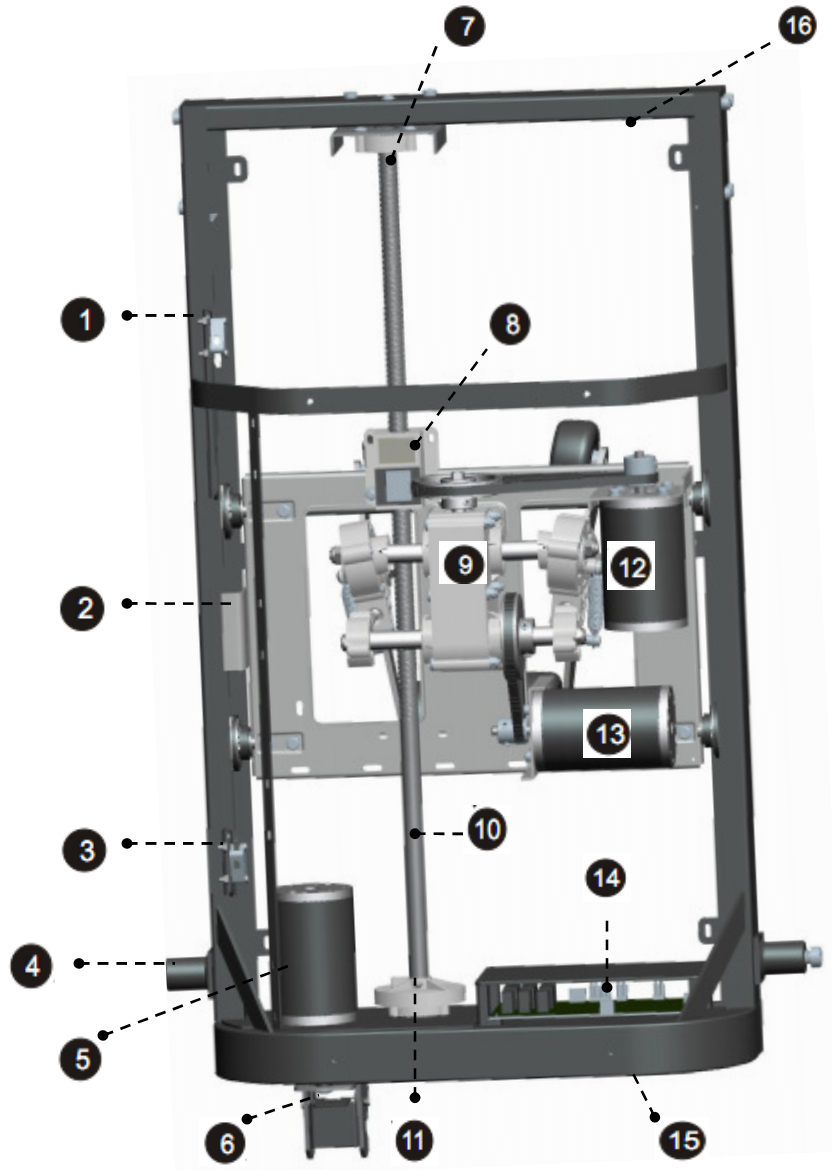


MASSAGE PARTS IDENTIFICATION



- | | |
|---|-------------------------------|
| (1) Top Limit Switch: Used for stop & change direction of Robot when Lever (2) touches it | (8) White Gear Box |
| (2) Limit Lever Activator: Used for touching Switch | (9) Robot |
| (3) Bottom Limit Switch: See function (1) | (10) Lead Screw |
| (4) Hinge Connection between Seat & Back frame | (11) Turn Sensor Detector |
| (5) 24VDC Rolling Up/Down Motor | (12) 24VDC Kneading Motor |
| (6) Back Locking Bracket | (13) 24VDC Tapping Motor |
| (7) Ball Bearing Housing | (14) PCB controller |
| | (15) Power supply (not shown) |
| | (16) Vertical bar x 4 screws |