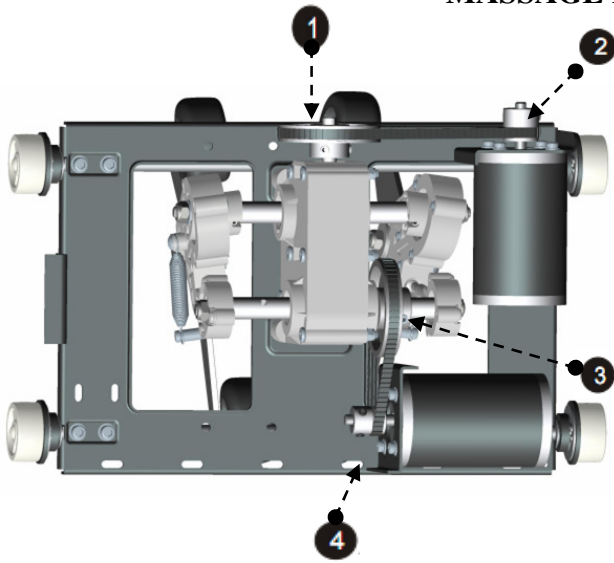
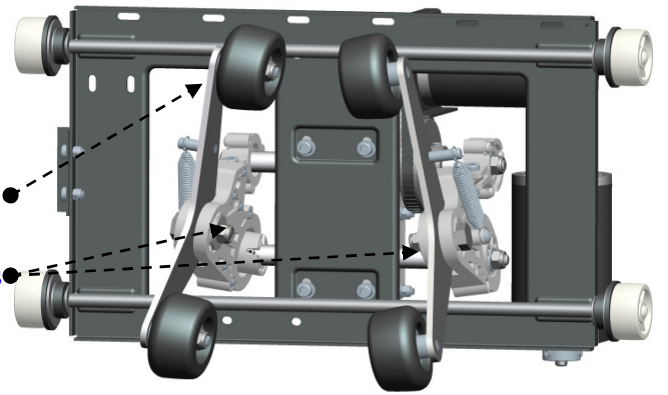


MESSAGE MAKING NOISE



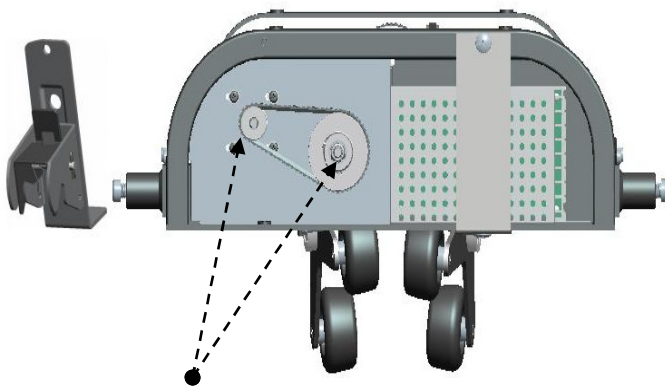
Tool needed: Metric Allen wrench #3 (purchase set at Home Depot)

Make sure the rotors at (1), (2), (3), (4) are Tighten well and in straight line with Belts



Check these wheels

Tighten well these nuts



Make sure these rotors are tighten well and in straight line with Belt

If message has grinding noise but Robot does not move. This gear box need to be replaced.
> Refer Remove & Replace Gear Box Section

