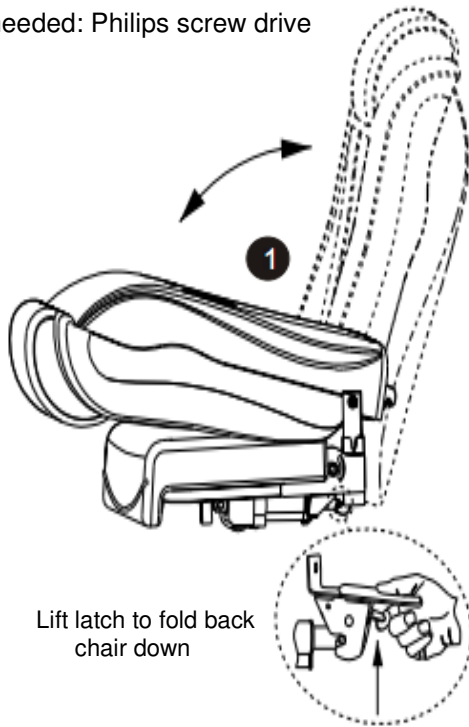


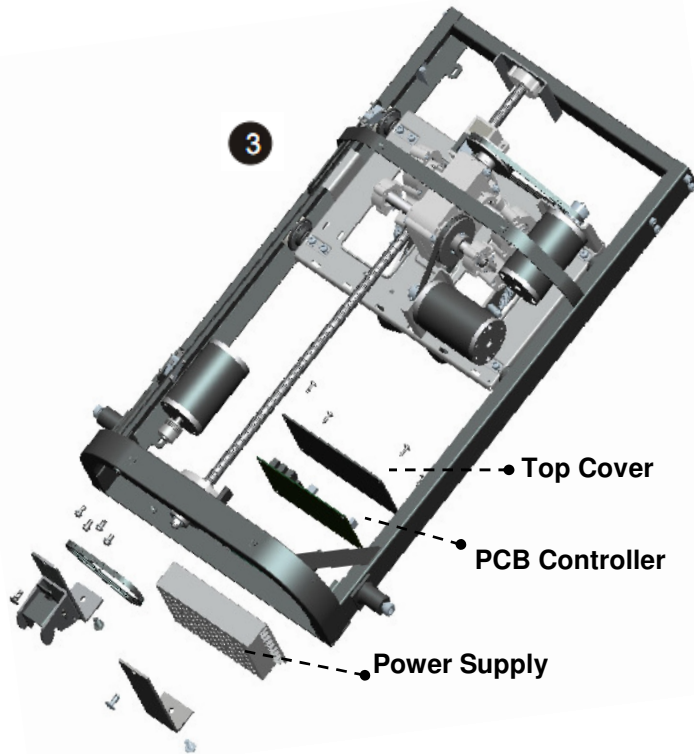
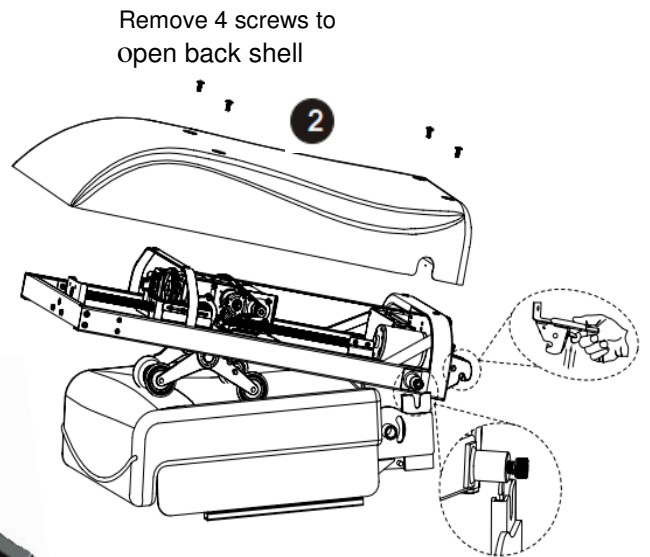
REMOVE & REPLACE CONTROLLER BOARD / PCB

Tool needed: Philips screw drive



Lift latch to fold back chair down

Lock must be latched before operating. Manually adjust actuator to engage locking device if needed



REMOVE & REPLACE CONTROLLER BOARD / PCB

CONNECTOR POSITIONS

