

## MESSAGE DOES NOT FUNCTION AT ALL

- 1> Press Auto button on remote, if Auto LED turns on but nothing work. Swap the Control board with good unit. (Fig.4) If Controller board found bad. Call customer care for replacing PCB
- 2> Press Auto button on remote, if Auto LED does not turn on. Check connection of Remote Cable connector. Also check the Power supply Green LED refer to Fig. 1,2,3
- 3> If Power Supply Green LED is not On. Check the AC power connection. If Ac source is good then it is either Power supply bad or shorted circuit on PCB has caused the LED to turn Off. Refer to figures below to find out the problem; Open PCB plastic cover to unplug 24VDC Power Connector. If LED turns On => PCB problem, If LED stays Off = Power supply problem.

Fig.1

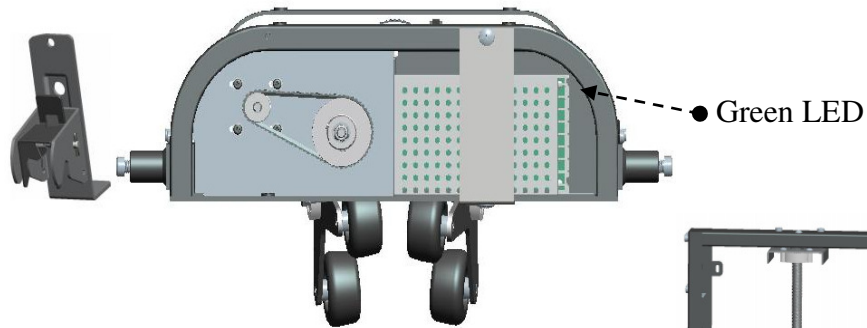


Fig.2

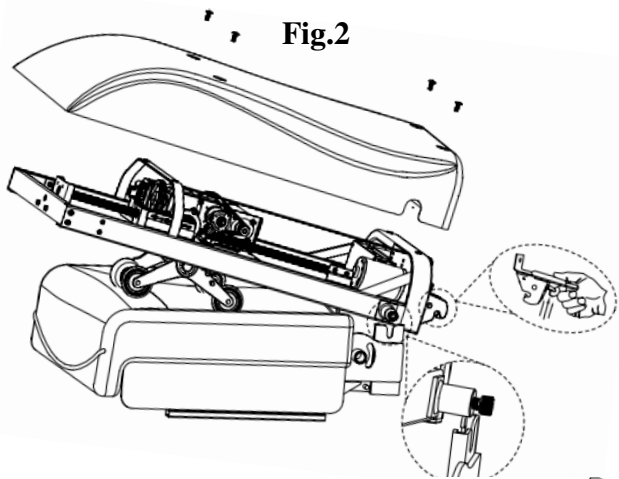


Fig.3

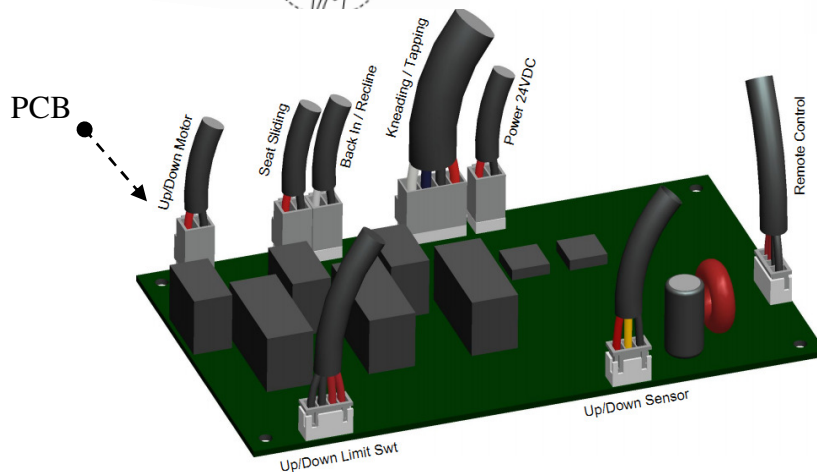
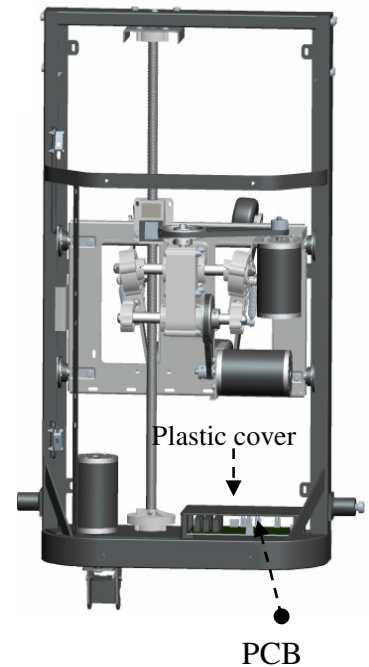


Fig.4