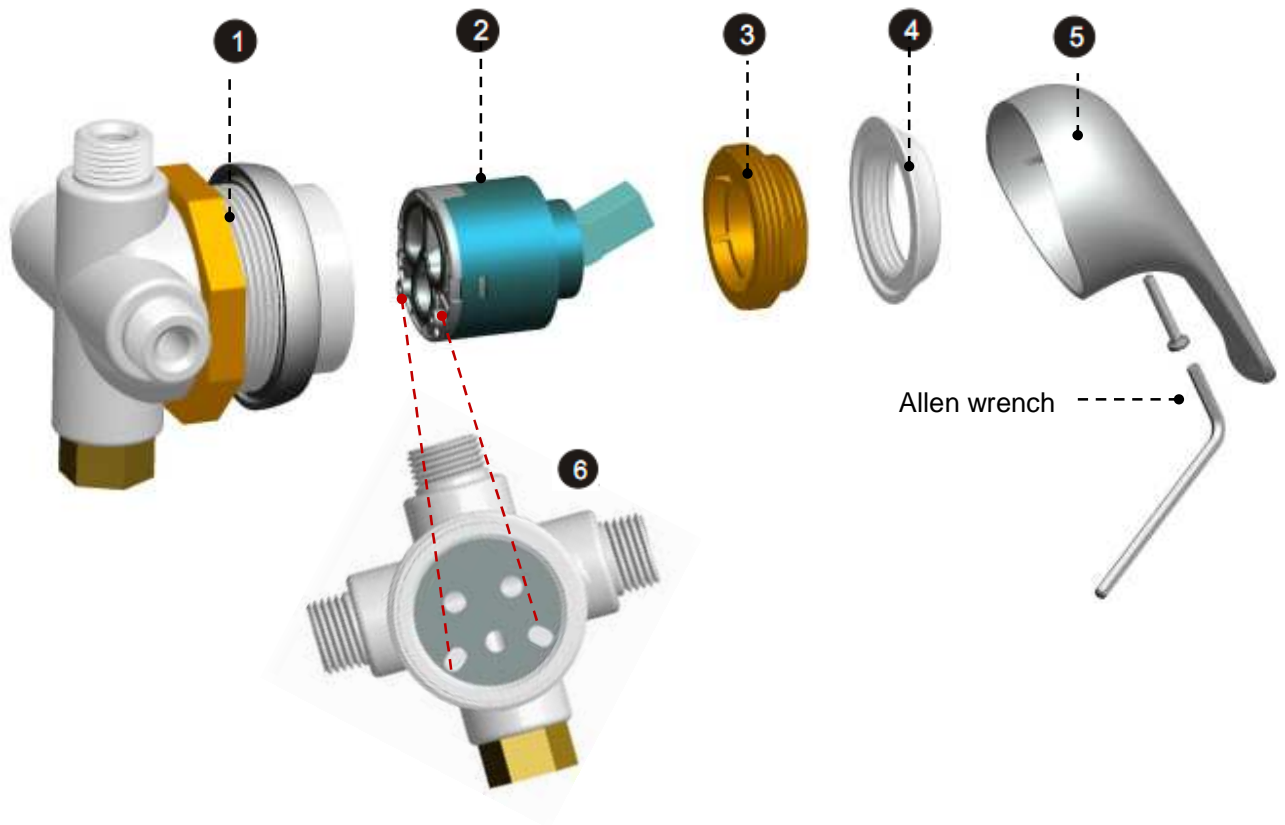


HOW TO OPEN HOT/COLD MIXER VALVE

NON AUTO-FILL



Non Auto-fill Version :

Replacing Cartridge: Tool needed: Allen wrench & Adjustable wrench. Using Allen wrench plug into Mixer Valve handle(5) to remove locking screw and Mixer handle – Remove Chrome ring (4) & Brass nut (3) – Remove the Cartridge (2).

To install the Cartridge: Find the 2 position holes (6) and match up these positions between Cartridge and Mixer housing prior reinstall the mixer