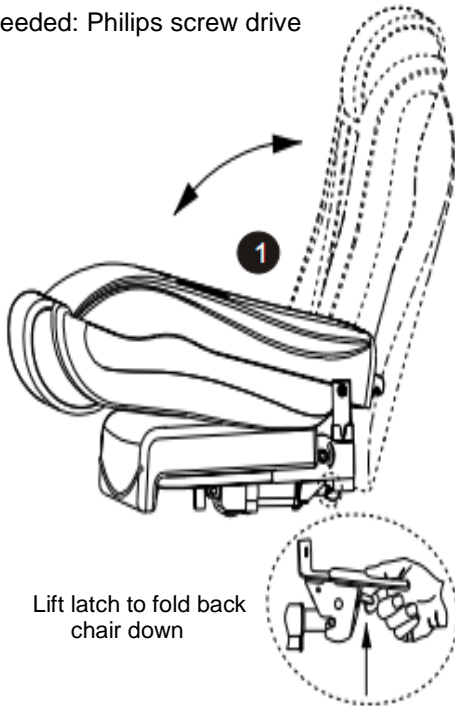


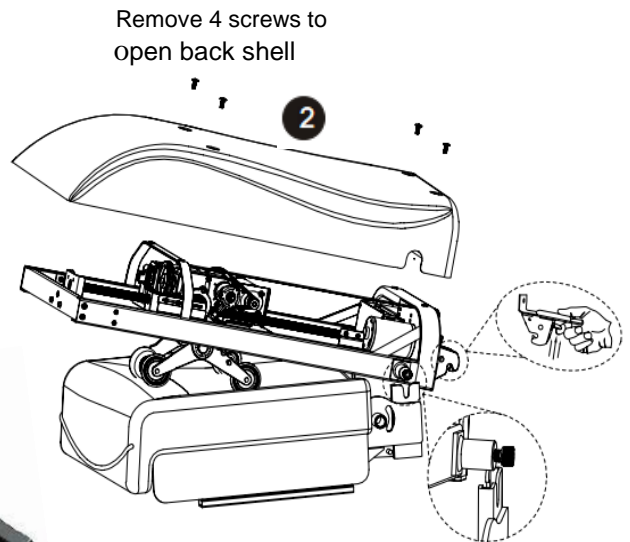
## REMOVE & REPLACE CONTROLLER BOARD / PCB

Tool needed: Philips screw drive

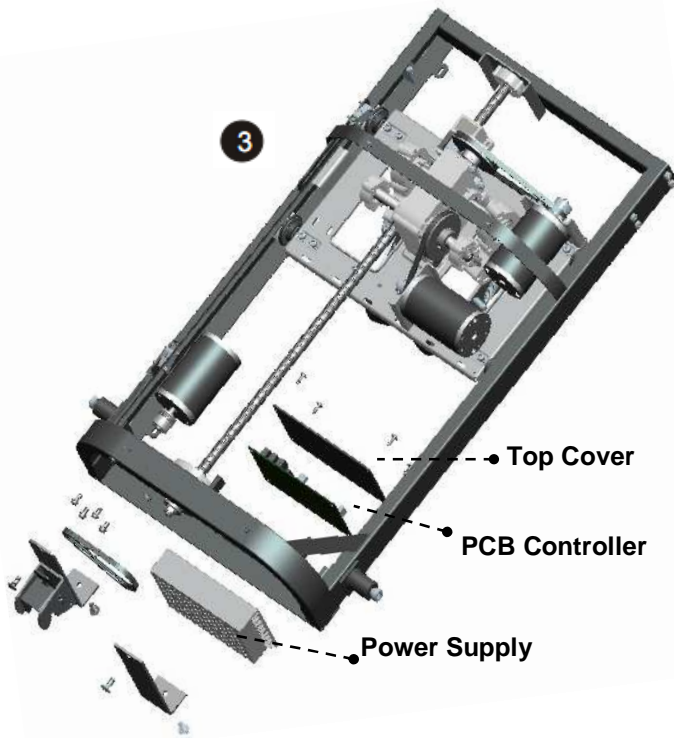


Lift latch to fold back chair down

Lock must be latched before operating. Manually adjust actuator to engage locking device if needed



Remove 4 screws to open back shell



Top Cover

PCB Controller

Power Supply

## REMOVE & REPLACE CONTROLLER BOARD / PCB

### CONNECTOR POSITIONS

