

HOW TO REPLACE THE SOLENOID

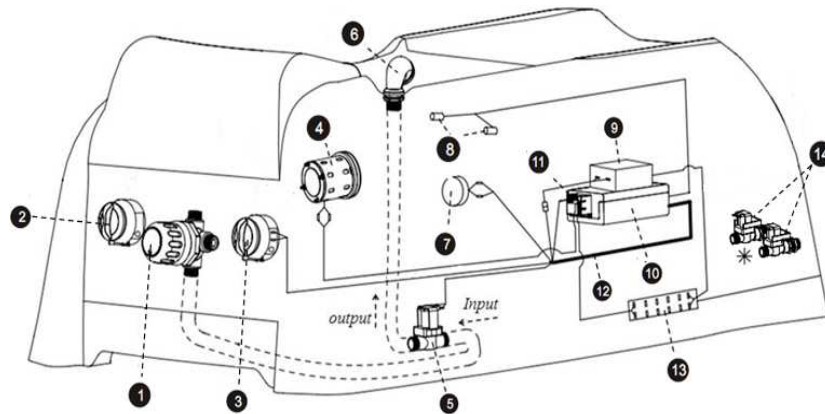


Fig.1

SOLENOID LOCATION :

- Spa built before November-2011. Single Solenoid is located on the right side of spa (#5)
- Spa built after November-2011. Dual solenoid are located behind the spa (#14)

REPLACING INSTRUCTIONS:

- For Spa built before 11-2012 Turn of water by Pulling out the Mixer knob and Tilt down. (Fig.2)
- Remove AC power from wall outlet. Loose Plumbing connection behind the Spa. Tilt Spa on left left side. Remove & replace power lines, 2 water hose connectors. Pay attention on the Arrow direction of Solenoid



Fig.2

- For Spa built after 11-2012: Refer to **Fig.3** : Turn off Water Valve (1) – Remove Water hose (2)
- Remove Nut (3) - Push Solenoid into Tub, cut tie wrap to release wiring as needed and slowly pull Solenoid out & remove power wiring (5).
- Remove in tub water hose (6). Lock new Solenoid in Bracket (#4) Replace new Solenoid by reversing the above steps.

*** **Caution:** Pay attention on Direction of Arrow on Solenoid and lock Solenoid into Holding Bracket ()

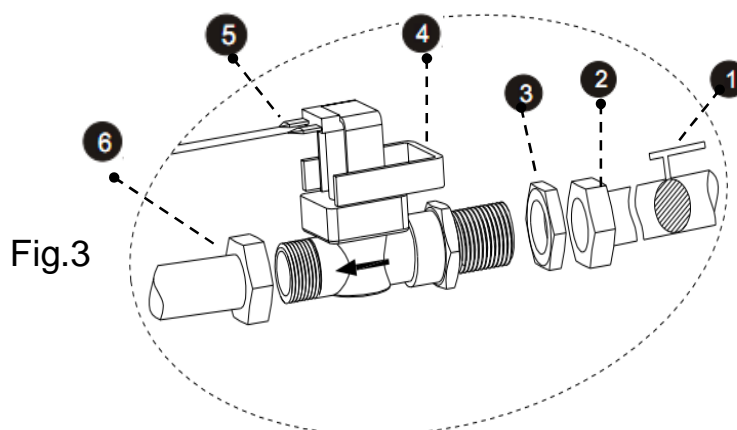


Fig.3