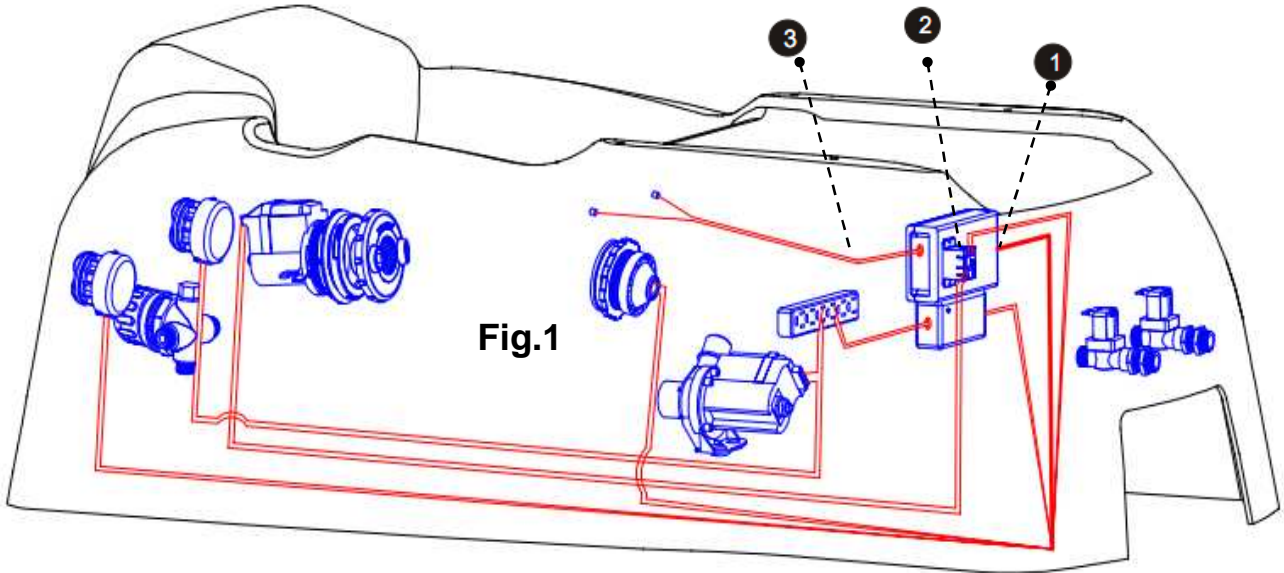


## HOW TO REPLACE AUTO-FILL CONTROL BOX



Disconnect AC power from wall outlet

- Loose plumbing connection at rear of spa as needed
- Tilt the spa on either side and block spa from turning back.

To remove the Auto-fill control box :

Refer to the Fig.1

1. At (#1) Cut tie-wrap. Pull out round cable connector.
2. At (#2) Use long nose pliers to lift and remove 4 fast-on connectors from the relay. Do not pull from the wires. Please note that there are 2 pairs of connectors and they are different size. These connectors are non-polarized which can be plug-in either way. Make sure these connectors plugged in with high tension
3. At (#3) This is the water sensor wires. Remove the 2 twisted connectors.

To install the Auto-fill control box :

Reverse the above step to install the Auto-fill control box.