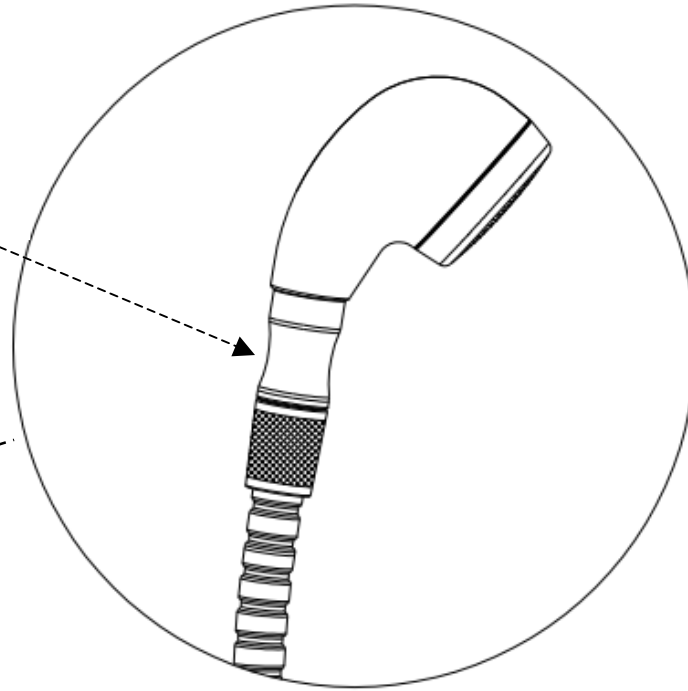
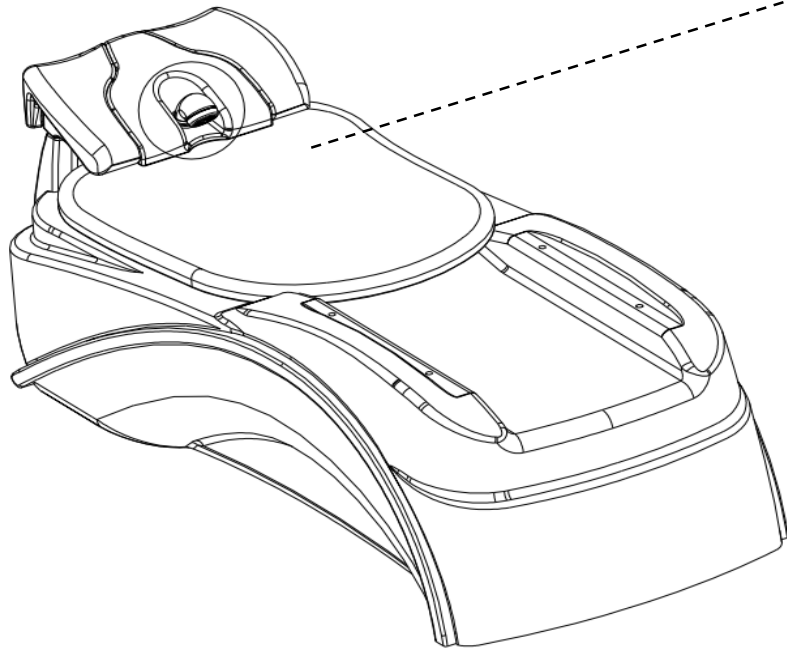


**In-Line Dual Check Valve. Complied
with ASME A112.18.3M & IAPMO
CERTIFIED FILE# 4374**



LEXOR INC, ENG.DOC. 021516

A112.18.3M BACK FLOW PREVENTER

Dual Check Valve Adapter

1/2" NPT - Female x Male



flow, stop and go®

Features and Benefits

- ▶ Solid brass chrome plated construction.
- ▶ Eye pleasing design blends in between shower elbow and hose fitting.
- ▶ Cost effective alternative to bulky and leaky vacuum breakers.
- ▶ Provides backflow protection with two check valves and optional flow rate control.

Certification

ASME A112.18.3M (CV 15 and CV 15FR US models)

Options Available

Part #	Description
BX.0243.1.0721	Two CV 15
BX.0243.1.7721	One CV 15 and one CV 15FR US 1.5 gpm
BX.0243.1.R721	One CV 15 and one CV 15FR US 1.75 gpm
BX.0243.1.Y721	One CV 15 and one CV 15FR US 2.0 gpm
BX.0243.1.W721	One CV 15 and one CV 15FR US 2.5 gpm



Materials

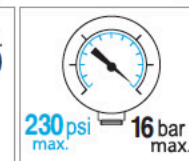
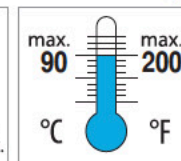
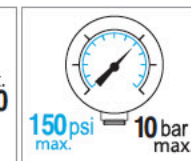
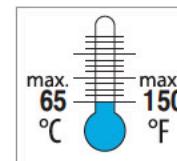
Name	Material
Housing	Chrome plated brass
Check valve	CV15 or CV15 FR US
Check valve	CV 15
Ring	Stainless steel AISI 301
Washer	EPDM

Technical Data

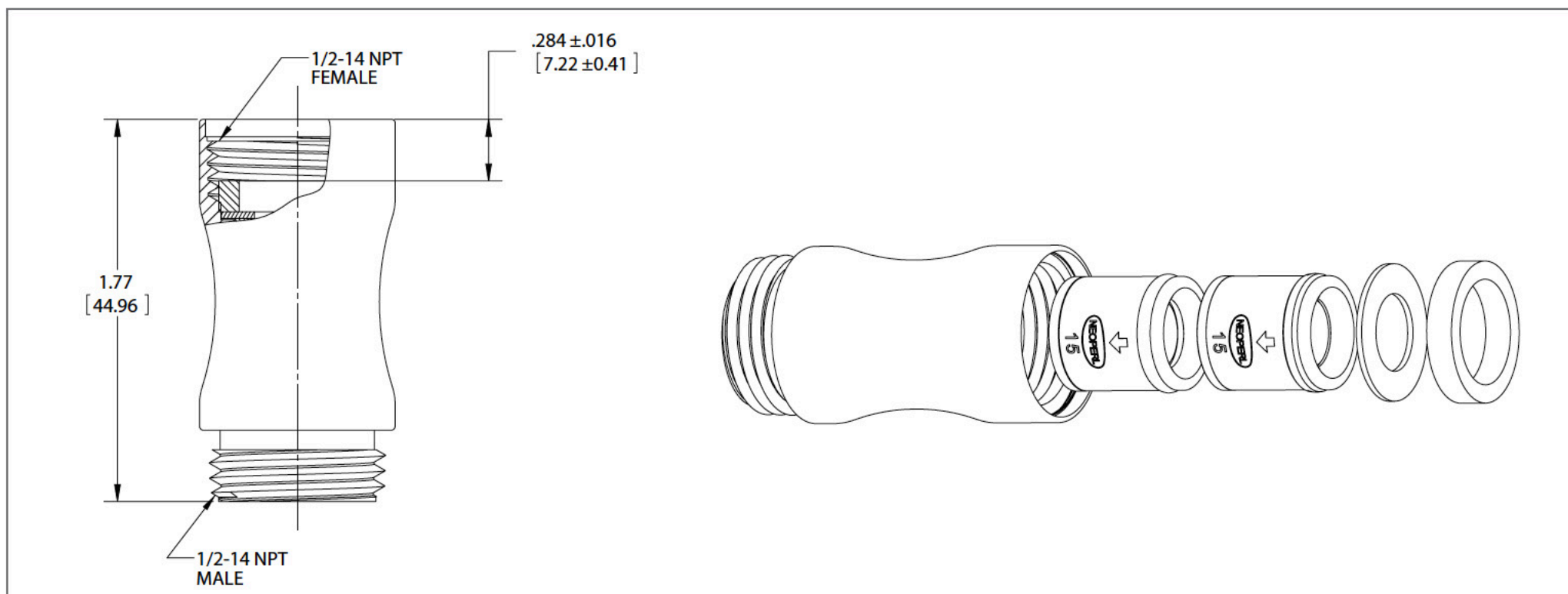
Medium: Clear water only
 Wetted surface area: 5170.9 mm²

Continuous

Short-term (5 minutes max.)



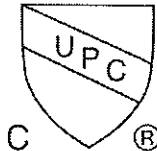
Dimensions



NEOPERL® Inc., Waterbury, CT • Tel: 203-756-8891 • Fax: 203-755-5717 • www.neoperl.com

IAPMO RESEARCH AND TESTING, INC.

5001 E. Philadelphia Street, Ontario, CA 91761-2816 • (909) 472-4100 • Fax (909) 472-4244 • www.iapmort.org

**CERTIFICATE OF LISTING**

IAPMO Research and Testing, Inc. is a product certification body which tests and inspects samples taken from the supplier's stock or from the market or a combination of both to verify compliance to the requirements of applicable codes and standards. This activity is coupled with periodic surveillance of the supplier's factory and warehouses as well as the assessment of the supplier's Quality Assurance System. This listing is subject to the conditions set forth in the characteristics below and is not to be construed as any recommendation, assurance or guarantee by IAPMO Research and Testing, Inc. of the product acceptance by Authorities Having Jurisdiction.

The most updated information on this Certificate of Listing is available online at pld.iapmo.org

Effective Date: February 2016 Void After: February 2017

Product: Backflow Protection Devices and Systems in Plumbing Fixture Fittings File No. 4374

Issued To: NEOPERL INC.
171 MATTATUCK HEIGHTS
WATERBURY, CT 06705

Identification: The product shall be marked with the manufacturer's name or trademark and the cUPC® certification mark. The product packaging for backflow protection devices shall be marked with the manufacturer's name or trademark, standard ASME A112.18.3M and the cUPC® certification mark.

Characteristics: Backflow Protection Devices and Systems in Plumbing Fixture Fittings to be installed in accordance with the manufacturer's instructions and the requirements of the latest edition of the Uniform Plumbing code.

Products listed on this certificate have been tested by an IAPMO R&T recognized laboratory. This recognition has been granted based upon the laboratory's compliance to the applicable requirements of ISO/IEC 17025.

Products are in compliance with the following code(s):

Uniform Plumbing Code (UPC®)
National Plumbing Code of Canada
International Plumbing Code (IPC®)

Products are in compliance with the following standard(s):

ASME A112.18.3-2002 (R2008)
ASME A112.18.1-2012/CSA B125.1-12

MODELS:

<u>Part No.</u>	<u>Description</u>
30.3000.0	SV15
30.4004.0	DW10 IS
30.4009.0	DW10 JR
30.4010.0	DW10
30.4011.0	DW11
30.4013.0	DW13 KK
30.4016.00000	CV DW16/DN12
30.4033.0	DW14-GF
30.4043.0	DW15-GF
30.4073.0	DW20-1T
30.4075.0	DW20-1T EPDM
31.0001.0	OV15-EPDM
31.0009.0	NV25-EPDM